

PARTS LIST

10x8 Stand Out Series Backlit Display

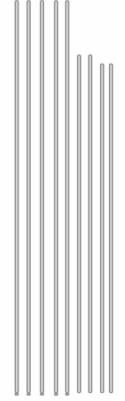
Side Panel w/hooks - x2



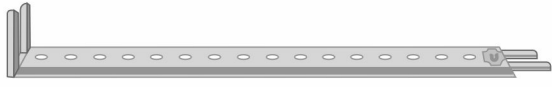
Side Panel - x2



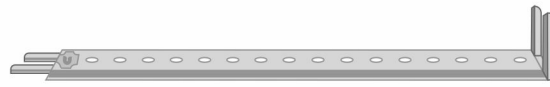
Middle Support Bars
x9 (2 extras for conversion kit)



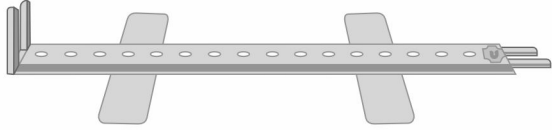
Left Top Corner Panel - x1



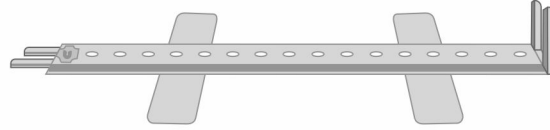
Right Top Corner Panel - x1



Left Bottom Corner Panel w/feet - x1



Right Bottom Corner Panel w/feet - x1



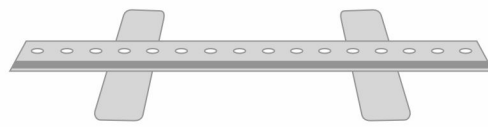
Cross Pieces x2



Top Middle Panel - x1



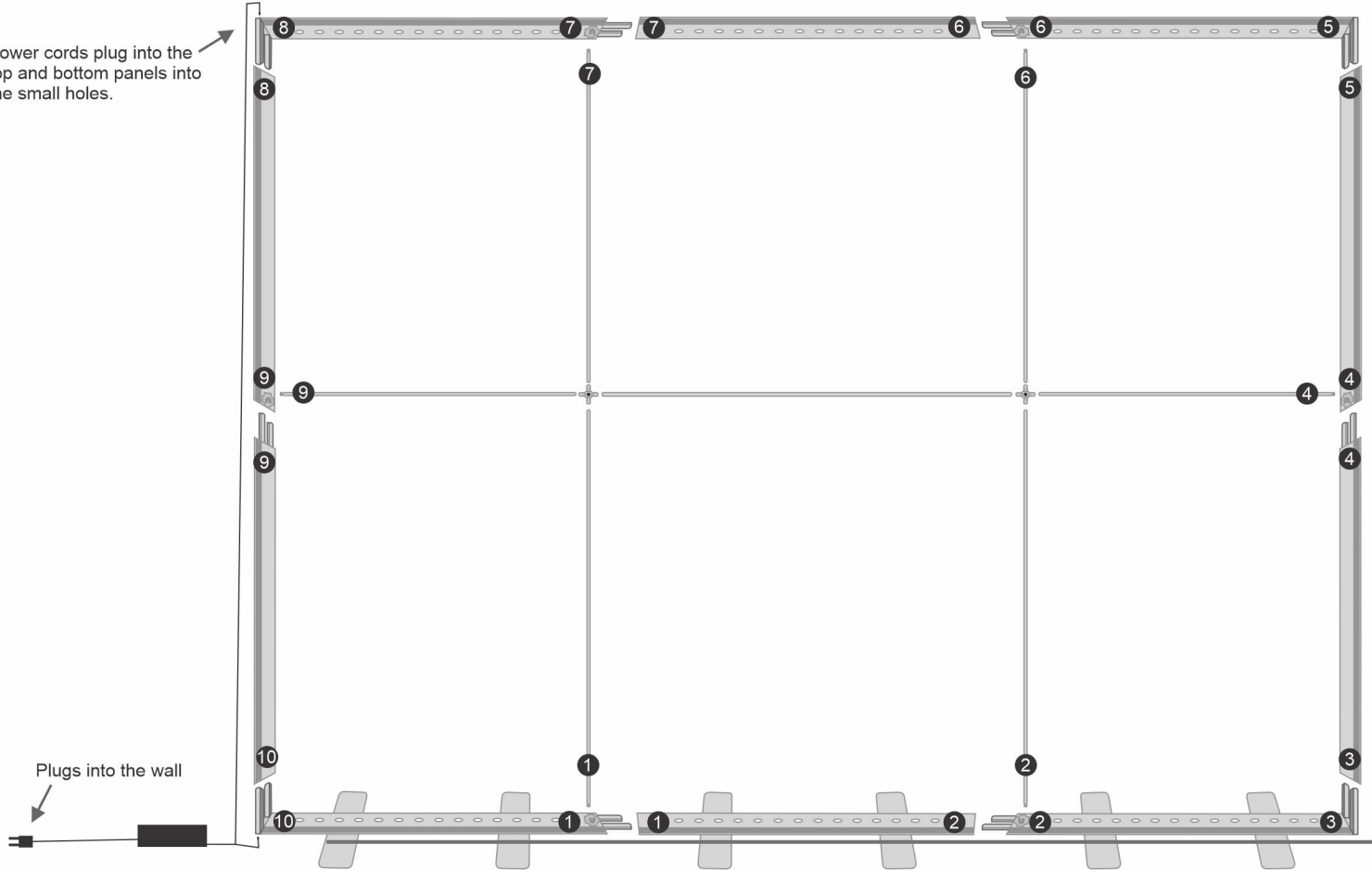
Bottom Middle Panel w/feet - x1



Power Cord x1



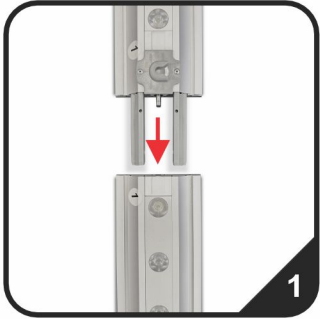
Power cords plug into the top and bottom panels into the small holes.



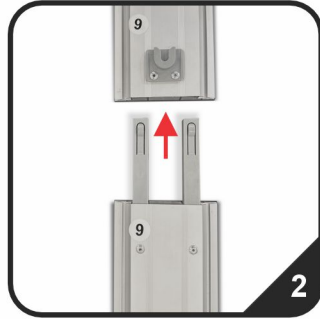
SET UP INSTRUCTIONS

Stand Out

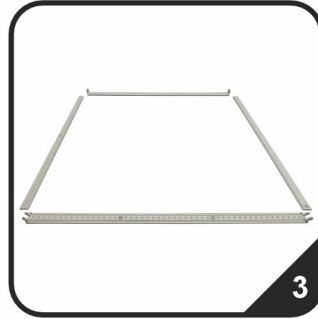
10x8 Backlit Display



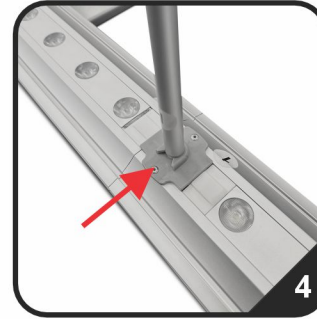
Step 1
Fit together panels 1, 2 & 3 together.
It's best to not swivel out the feet yet.
Fit top panels 6, 7 & 8 together.



Step 2
Fit together side panels 4 & 5 and
8&9.



Step 3
Lay out all panels on the floor and fit
them together connecting panels
10, 3, 5 & 8. Keep the frame laying
sideways on the floor, **do not stand
it up yet.**



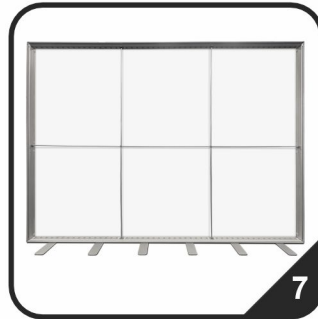
Step 4
Attach the inner support bars according
to the numbers, by sliding the plastic
hook into the hooks on the frame, use
the middle crosses to hold together the
bars.



Step 5
Fit your graphics into to the channel
starting on the top left corner and
working your way around the frame
until the graphic is fully installed into
the frame.



Step 6
Plug in the power cords on the top and
bottom end corners (panels 8 & 10). **Do
not plug into the wall yet.**
*Note: The holes are small and do not
look like plugs, but they are.*



Step 7
Using 2 people on each end, carefully
tilt up the frame to stand. Carefully
swivel the feet out on the bottom
panels.



Step 8
Fit the 2nd graphic or light blocking
liner in the channels on the back of
the frame starting from the top left
corner and working your way around
the frame until it is fully installed.



Step 9
Connect power supply.